



REQUEST FOR STATEMENTS OF QUALIFICATIONS No. 23-009

GNPCC Grit and Sed Tank Prequalification

Addendum 2

13 pages total

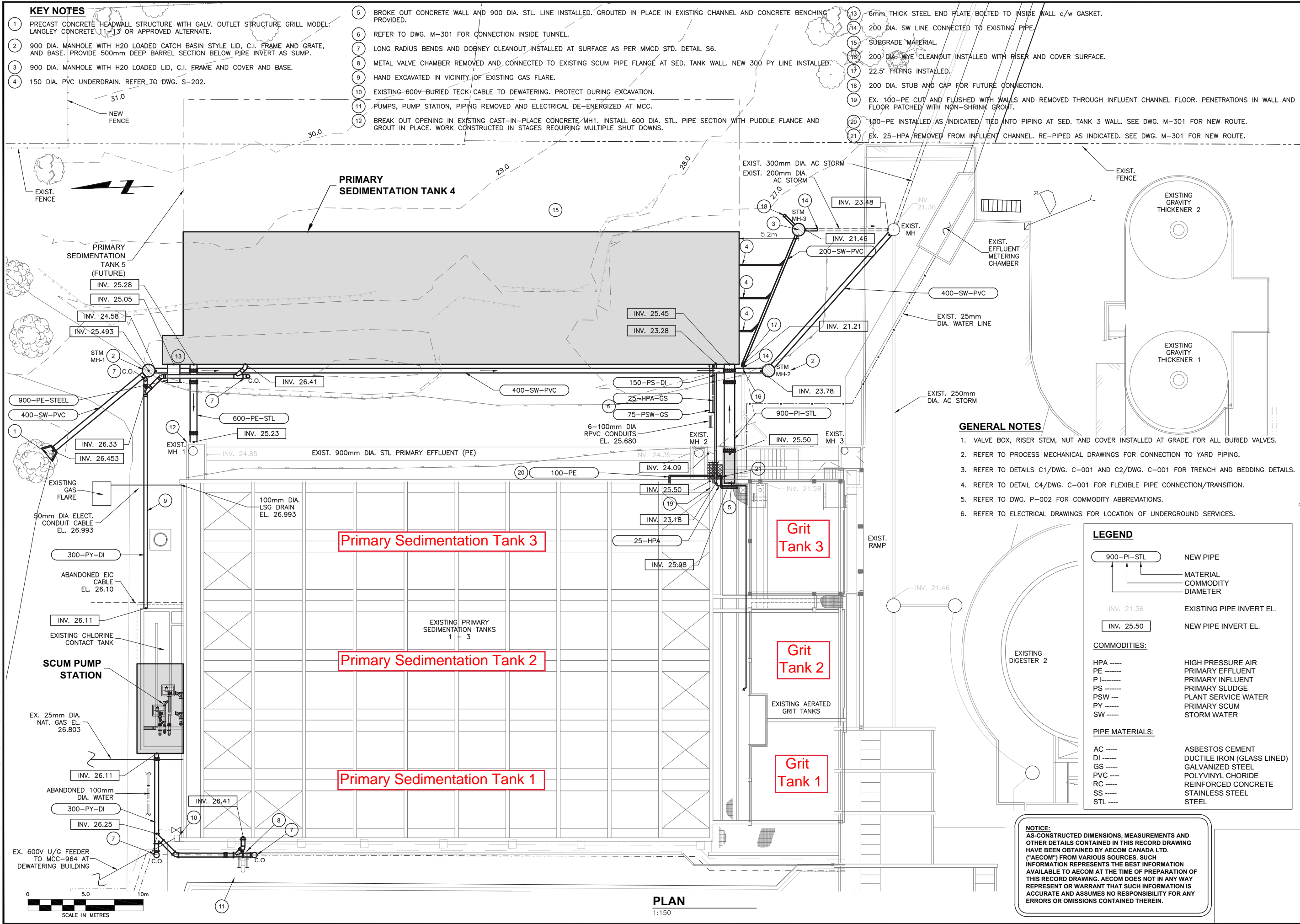
Issued: February 6, 2023

Closing Date & Time: on or before 3:00 PM Pacific Time on March 1, 2023

RFP Addendum:

ADD: Appendix C3 Sedimentation Tanks 1 – 3 Drawing Reference (12 pages).

End of Addendum 2



- KEY NOTES**
- 1 PRECAST CONCRETE HEADWALL STRUCTURE WITH GALV. OUTLET STRUCTURE GRILL MODEL. LANGLEY CONCRETE 11-13 OR APPROVED ALTERNATE.
 - 2 900 DIA. MANHOLE WITH H2O LOADED CATCH BASIN STYLE LID, C.I. FRAME AND GRATE, AND BASE. PROVIDE 500mm DEEP BARREL SECTION BELOW PIPE INVERT AS SUMP.
 - 3 900 DIA. MANHOLE WITH H2O LOADED LID, C.I. FRAME AND COVER AND BASE.
 - 4 150 DIA. PVC UNDERDRAIN. REFER TO DWG. S-202.
 - 5 BROKE OUT CONCRETE WALL AND 900 DIA. STL. LINE INSTALLED. GROUTED IN PLACE IN EXISTING CHANNEL AND CONCRETE BENCHING PROVIDED.
 - 6 REFER TO DWG. M-301 FOR CONNECTION INSIDE TUNNEL.
 - 7 LONG RADIUS BENDS AND DOBNEY CLEANOUT INSTALLED AT SURFACE AS PER MMCD STD. DETAIL S6.
 - 8 METAL VALVE CHAMBER REMOVED AND CONNECTED TO EXISTING SCUM PIPE FLANGE AT SED. TANK WALL. NEW 300 PY LINE INSTALLED.
 - 9 HAND EXCAVATED IN VICINITY OF EXISTING GAS FLARE.
 - 10 EXISTING 600V BURIED TECK CABLE TO DEWATERING. PROTECT DURING EXCAVATION.
 - 11 PUMPS, PUMP STATION, PIPING REMOVED AND ELECTRICAL DE-ENERGIZED AT MCC.
 - 12 BREAK OUT OPENING IN EXISTING CAST-IN-PLACE CONCRETE MH1. INSTALL 600 DIA. STL. PIPE SECTION WITH PUDDLE FLANGE AND GROUT IN PLACE. WORK CONSTRUCTED IN STAGES REQUIRING MULTIPLE SHUT DOWNS.
 - 13 6mm THICK STEEL END PLATE BOLTED TO INSIDE WALL C/W GASKET.
 - 14 200 DIA. SW LINE CONNECTED TO EXISTING PIPE.
 - 15 SUBGRADE MATERIAL.
 - 16 200 DIA. WYE CLEANOUT INSTALLED WITH RISER AND COVER SURFACE.
 - 17 22.5" FITTING INSTALLED.
 - 18 200 DIA. STUB AND CAP FOR FUTURE CONNECTION.
 - 19 EX. 100-PE CUT AND FLUSHED WITH WALLS AND REMOVED THROUGH INFLUENT CHANNEL FLOOR. PENETRATIONS IN WALL AND FLOOR PATCHED WITH NON-SHRINK GROUT.
 - 20 100-PE INSTALLED AS INDICATED, TIED INTO PIPING AT SED. TANK 3 WALL. SEE DWG. M-301 FOR NEW ROUTE.
 - 21 EX. 25-HPA REMOVED FROM INFLUENT CHANNEL. RE-PIPED AS INDICATED. SEE DWG. M-301 FOR NEW ROUTE.

- GENERAL NOTES**
1. VALVE BOX, RISER STEM, NUT AND COVER INSTALLED AT GRADE FOR ALL BURIED VALVES.
 2. REFER TO PROCESS MECHANICAL DRAWINGS FOR CONNECTION TO YARD PIPING.
 3. REFER TO DETAILS C1/DWG. C-001 AND C2/DWG. C-001 FOR TRENCH AND BEDDING DETAILS.
 4. REFER TO DETAIL C4/DWG. C-001 FOR FLEXIBLE PIPE CONNECTION/TRANSITION.
 5. REFER TO DWG. P-002 FOR COMMODITY ABBREVIATIONS.
 6. REFER TO ELECTRICAL DRAWINGS FOR LOCATION OF UNDERGROUND SERVICES.

LEGEND

900-PI-STL	NEW PIPE
---	MATERIAL
---	COMMODITY
---	DIAMETER
INV. 21.36	EXISTING PIPE INVERT EL.
INV. 25.50	NEW PIPE INVERT EL.

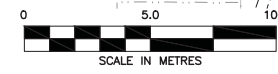
COMMODITIES:

HPA	HIGH PRESSURE AIR
PE	PRIMARY EFFLUENT
PI	PRIMARY INFLUENT
PS	PRIMARY SLUDGE
PSW	PLANT SERVICE WATER
PY	PRIMARY SCUM
SW	STORM WATER

PIPE MATERIALS:

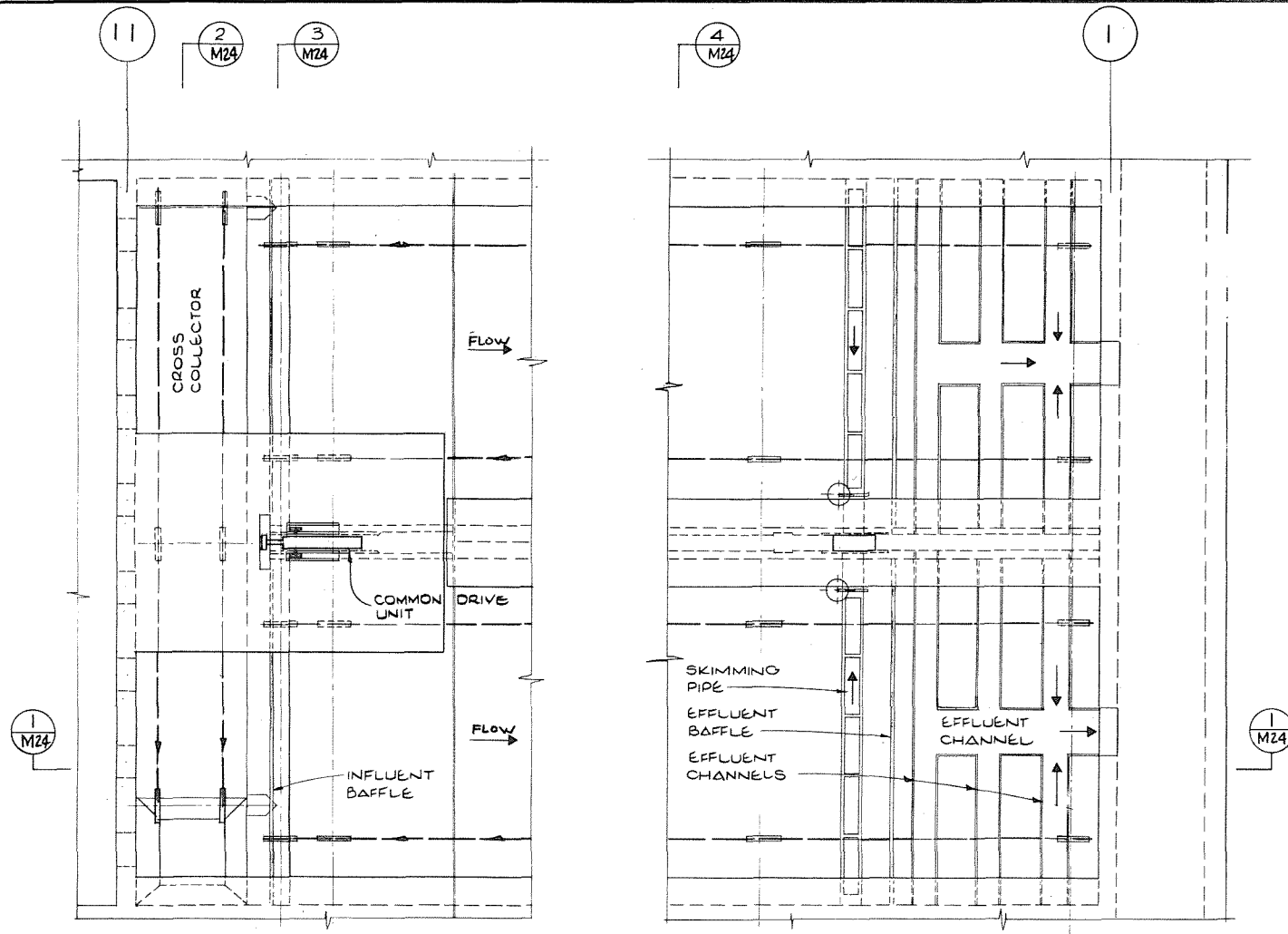
AC	ASBESTOS CEMENT
DI	DUCTILE IRON (GLASS LINED)
GS	GALVANIZED STEEL
PVC	POLYVINYL CHORIDE
RC	REINFORCED CONCRETE
SS	STAINLESS STEEL
STL	STEEL

NOTICE:
 AS-CONSTRUCTED DIMENSIONS, MEASUREMENTS AND OTHER DETAILS CONTAINED IN THIS RECORD DRAWING HAVE BEEN OBTAINED BY AECOM CANADA LTD. ("AECOM") FROM VARIOUS SOURCES. SUCH INFORMATION REPRESENTS THE BEST INFORMATION AVAILABLE TO AECOM AT THE TIME OF PREPARATION OF THIS RECORD DRAWING. AECOM DOES NOT IN ANY WAY REPRESENT OR WARRANT THAT SUCH INFORMATION IS ACCURATE AND ASSUMES NO RESPONSIBILITY FOR ANY ERRORS OR OMISSIONS CONTAINED THEREIN.

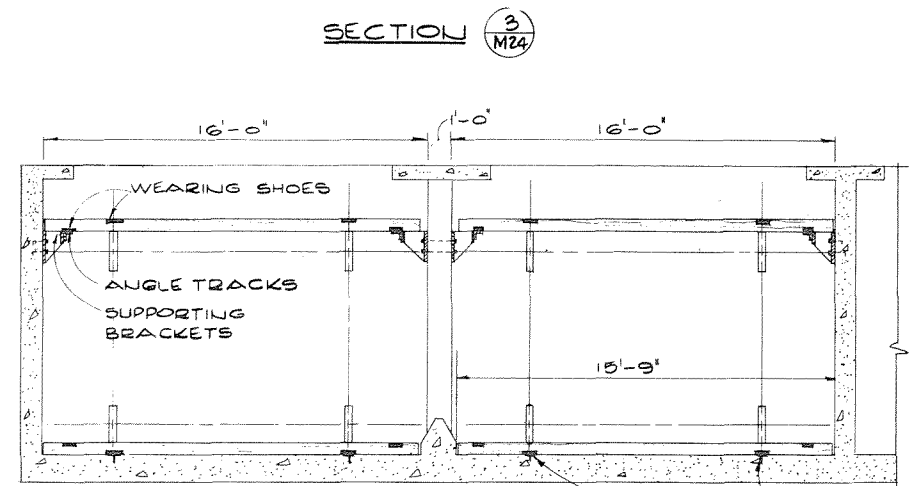
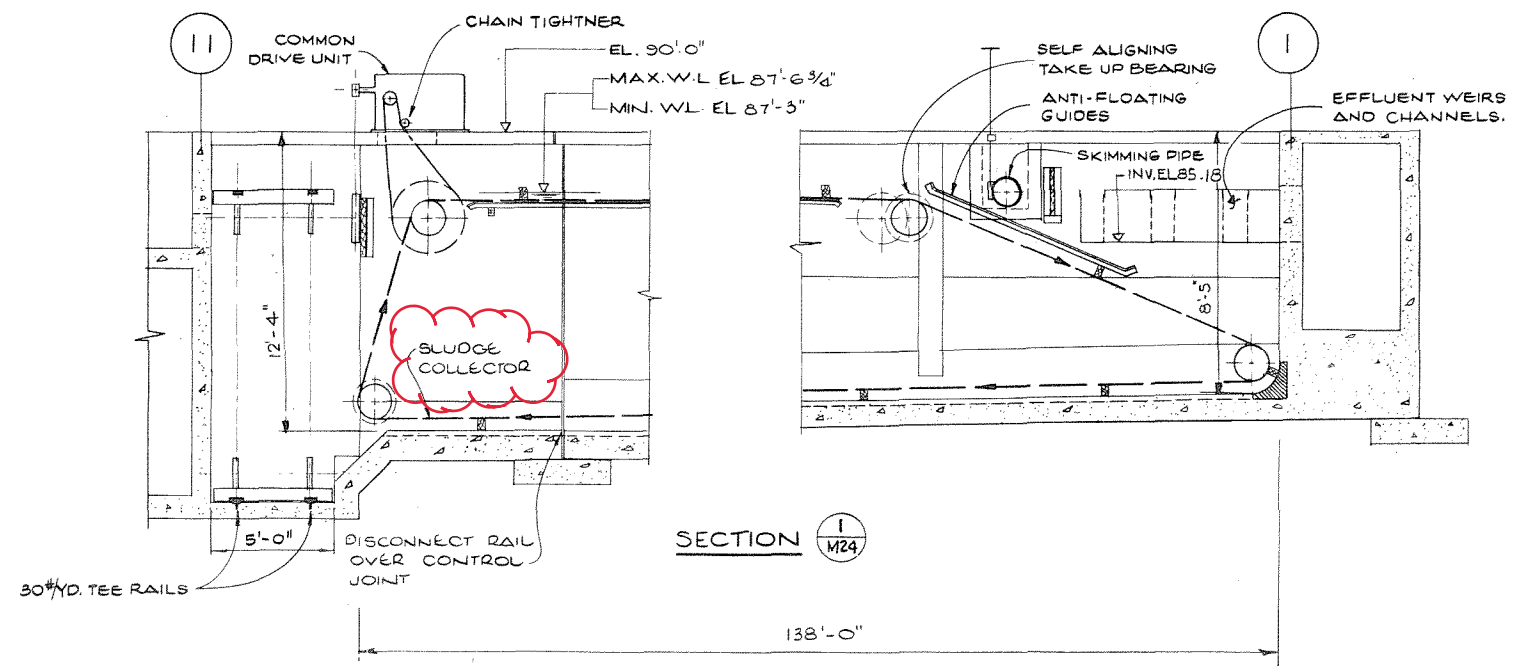
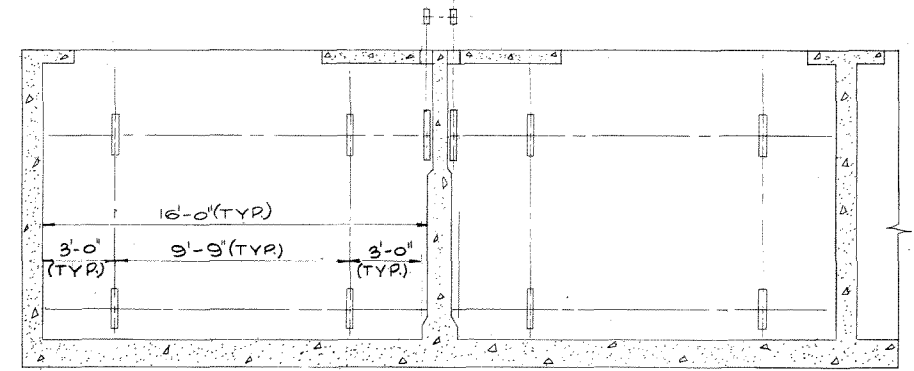
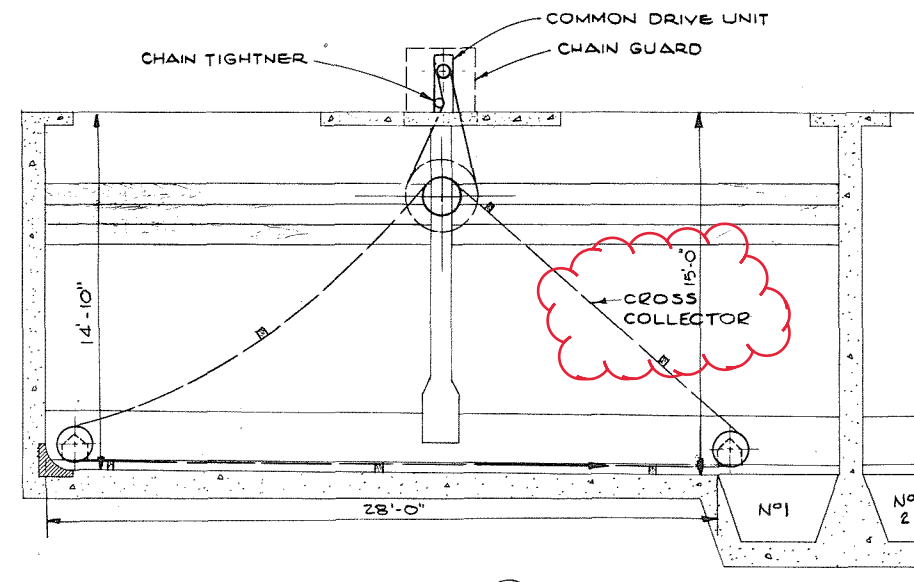


PLAN
 1:150

<p>PREPARED FOR:</p> <p>REGIONAL DISTRICT OF NANAIMO</p>	<p>DRN BY: PTL DES BY: KM CHK BY: KM APP BY: KM</p> <p>RECORD DRAWING DATE (Y/M/D) 2013/10/03</p>
<p>REGIONAL DISTRICT OF NANAIMO GREATER NANAIMO POLLUTION CONTROL CENTRE PRIMARY SEDIMENTATION TANK 4</p>	
<p>CIVIL SITE AND YARD PIPING PLAN</p>	
<p>PROJECT START DATE (M/Y) OCT 2011</p> <p>PROJECT NO. 60119790</p> <p>FILENAME C-101 to C106 1140005.dwg</p> <p>RDN DRAWING NO. GN-PT-C-403</p> <p>DRAWING NO. C-103</p>	



TYPICAL PLAN
SEDIMENTATION TANK NO. 1



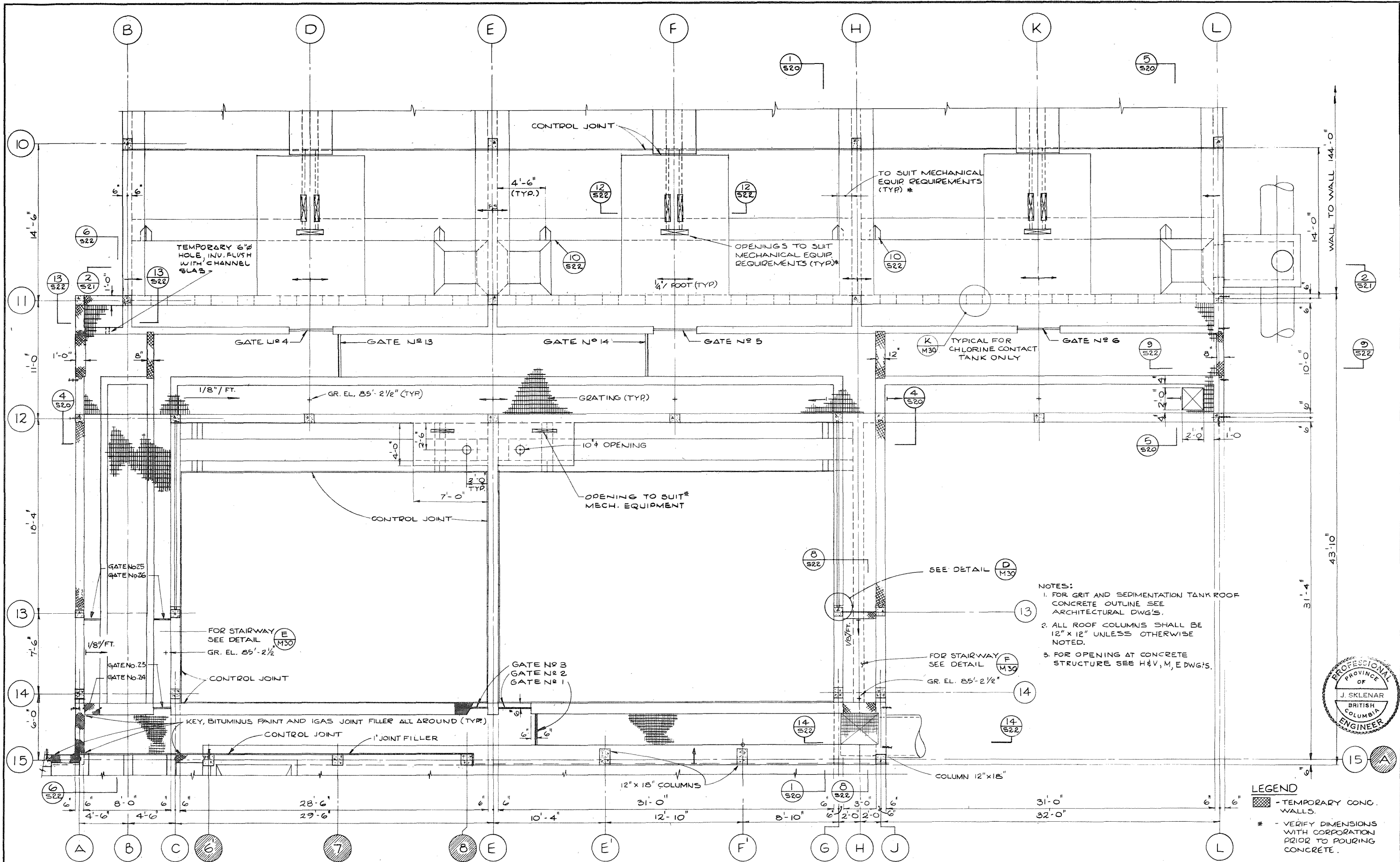
REVISIONS	ISSUE	DATE	DRN	CHD	APPD	DESCRIPTION	ISSUE	DATE	DRN	CHD	APPD	DESCRIPTION

DESIGNED: J. S. B.W.
DRAWN: T.T.F.
CHECKED: B.W. C.M.S.

DAYTON & KNIGHT LTD.
CONSULTING ENGINEERS
M.D. Dayton Sept 1 1923

NANAIMO REGIONAL SEWER AUTHORITY
GREATER NANAIMO WATER POLLUTION CONTROL CENTRE
SEDIMENTATION TANKS - PLAN VIEW, SLUDGE COLLECTORS

SCALE: 1/4" = 1'-0"
DRAWING No. 69-7-2
SHEET M24 OF 31 ISSUE A
THIS DRAWING REDUCED TO HALF SCALE

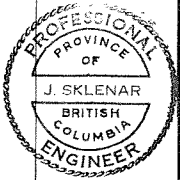


- NOTES:
1. FOR GRIT AND SEDIMENTATION TANK ROOF CONCRETE OUTLINE SEE ARCHITECTURAL DWG'S.
 2. ALL ROOF COLUMNS SHALL BE 12" X 12" UNLESS OTHERWISE NOTED.
 3. FOR OPENING AT CONCRETE STRUCTURE SEE H&V, M, E DWG'S.

LEGEND

▨ - TEMPORARY CONC. WALLS.

* - VERIFY DIMENSIONS WITH CORPORATION PRIOR TO POURING CONCRETE.



REVISIONS	ISSUE	DATE	DRN	CHD	APPD	DESCRIPTION	ISSUE	DATE	DRN	CHD	APPD	DESCRIPTION

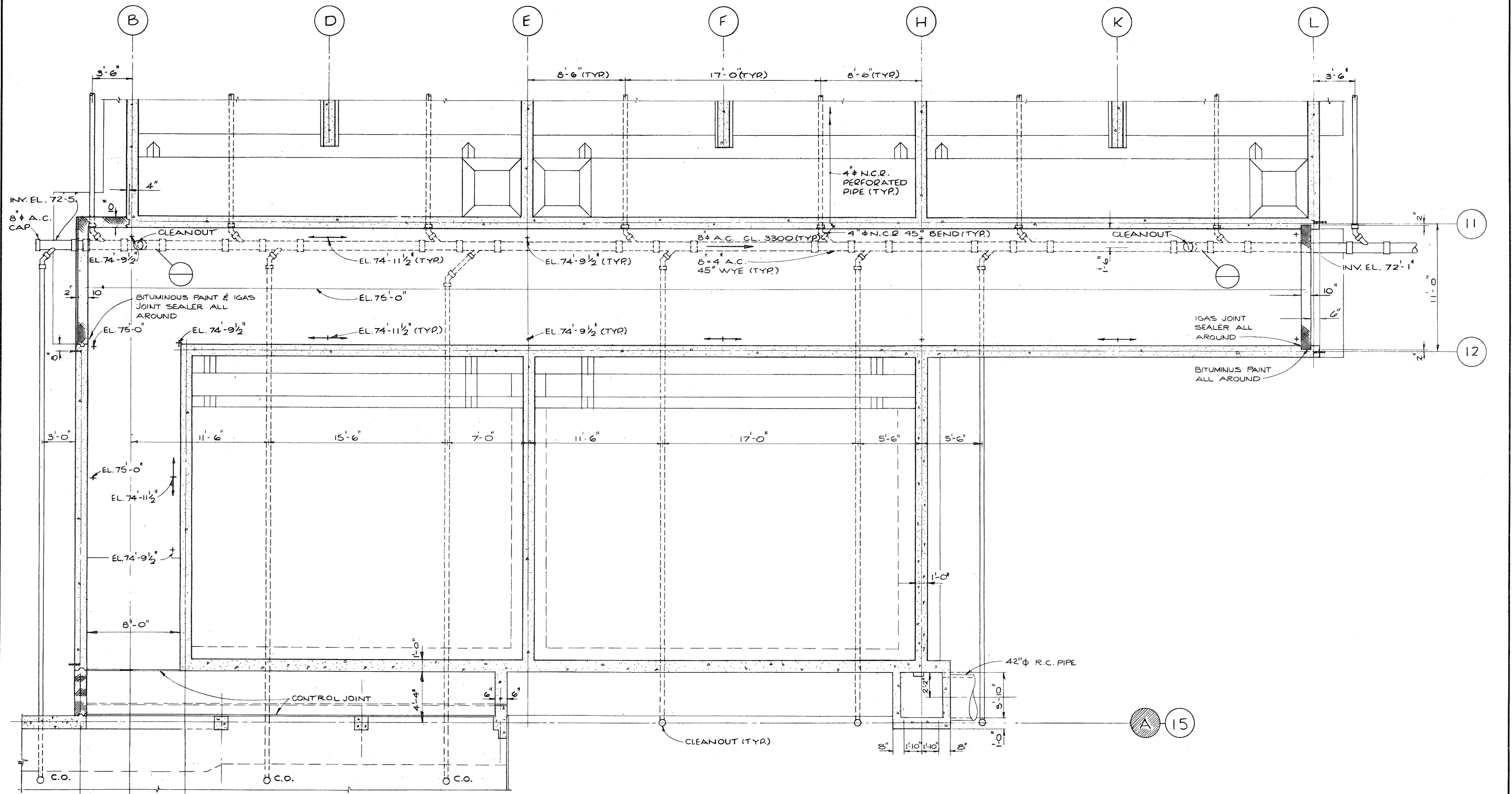
DESIGNED: J. S.
 DRAWN: T.T.F. & A.S.
 CHECKED: *MB*

DAYTON & KNIGHT LTD.
 CONSULTING ENGINEERS

Sept 11 1973

NANAIMO REGIONAL SEWER AUTHORITY
 GREATER NANAIMO WATER POLLUTION CONTROL CENTRE
 GRIT AND SEDIMENTATION TANKS - CONCRETE OUTLINE

SCALE: 1/4" = 1'-0"
 DRAWING No. 69.7.2.
 SHEET 517 OF 68 ISSUE A
 THIS DRAWING REDUCED TO HALF SCALE



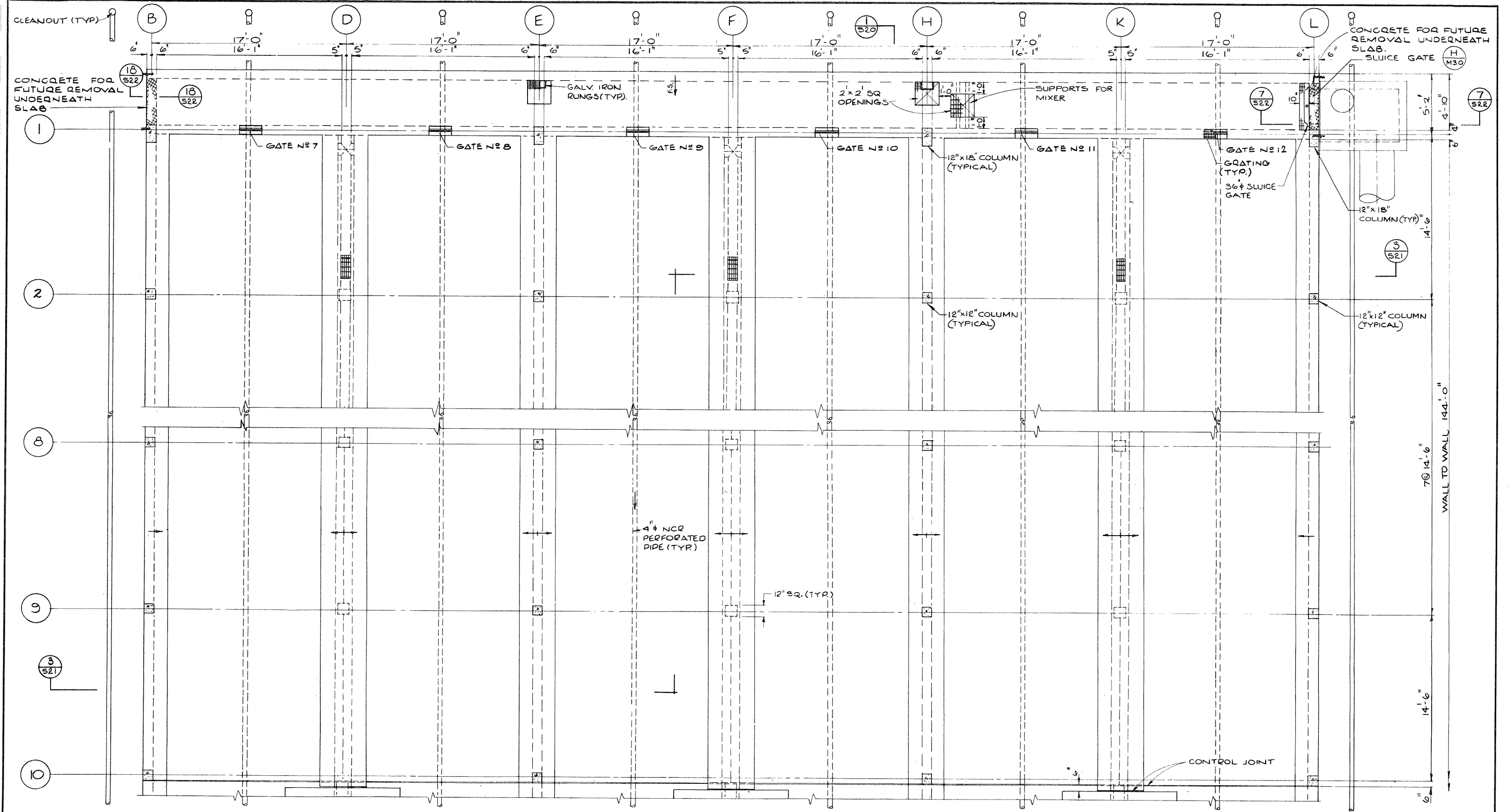
ISSUE	DATE	DRN	CHD	APPD	DESCRIPTION	ISSUE	DATE	DRN	CHD	APPD	DESCRIPTION

DESIGNED J.S.
 DRAWN A.S.
 CHECKED *MS*

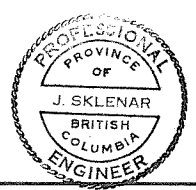
DAYTON & KNIGHT LTD.
 CONSULTING ENGINEERS
MD Saita Sept 1 1973

NANAIMO REGIONAL SEWER AUTHORITY
 GREATER NANAIMO WATER POLLUTION CONTROL CENTRE
 GRIT AND SEDIMENTATION TANKS - CONCRETE OUTLINE

SCALE: 1/4" = 1'-0"
 DRAWING No. 69-7-2
 SHEET 518 OF 68 ISSUE A
 THIS DRAWING REDUCED TO HALF SCALE



1
S20



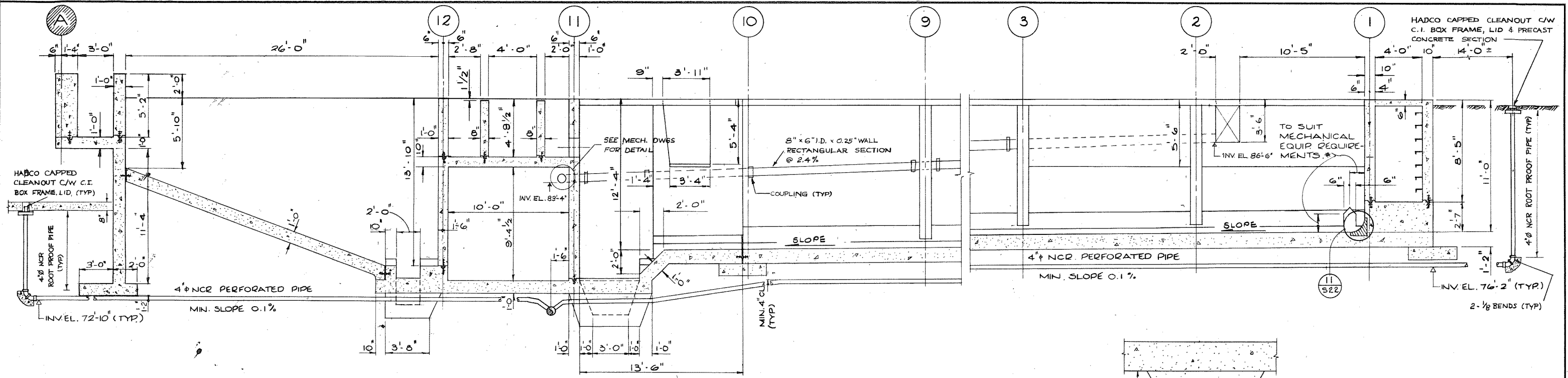
LEGEND
 → FINISHED FLOOR SLOPE
 1/4" / FOOT.

REVISIONS	ISSUE	DATE	DR'N	CH'D	APP'D	DESCRIPTION	ISSUE	DATE	DR'N	CH'D	APP'D	DESCRIPTION

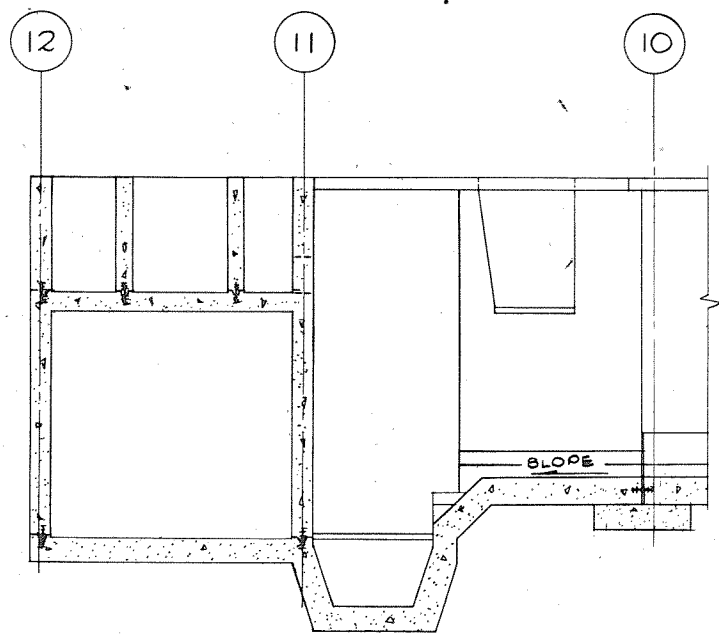
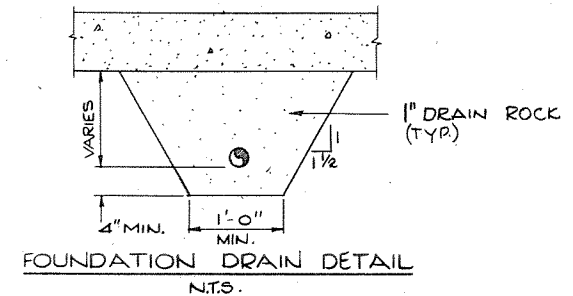
DESIGNED J.S.
 DRAWN D.B.C. & A.S.
 CHECKED MS
DAYTON & KNIGHT LTD.
 CONSULTING ENGINEERS
MD Naylor Sept 1 1973

NANAIMO REGIONAL SEWER AUTHORITY
 GREATER NANAIMO WATER POLLUTION CONTROL CENTRE
 SEDIMENTATION TANKS - CONCRETE OUTLINE

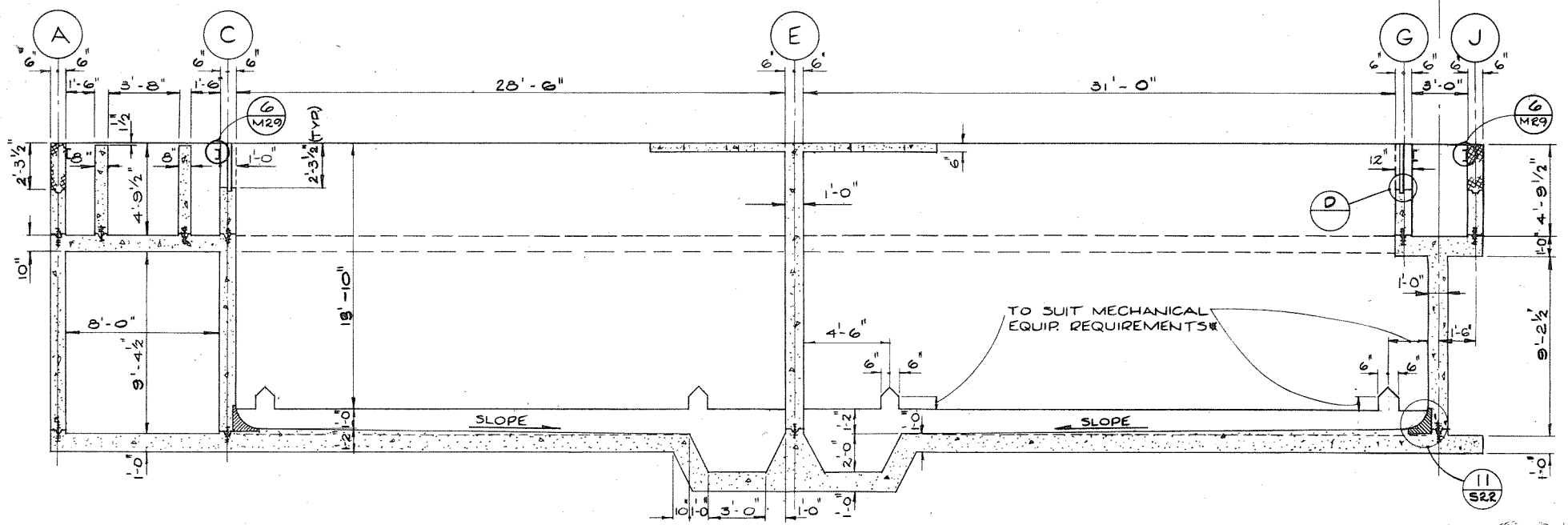
SCALE: 1/4" = 1'-0"
 DRAWING No. 69.7.2
 SHEET 519 OF 68 ISSUE A
 THIS DRAWING REDUCED TO HALF SCALE



SECTION 1/519

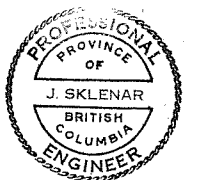


SECTION 5/517

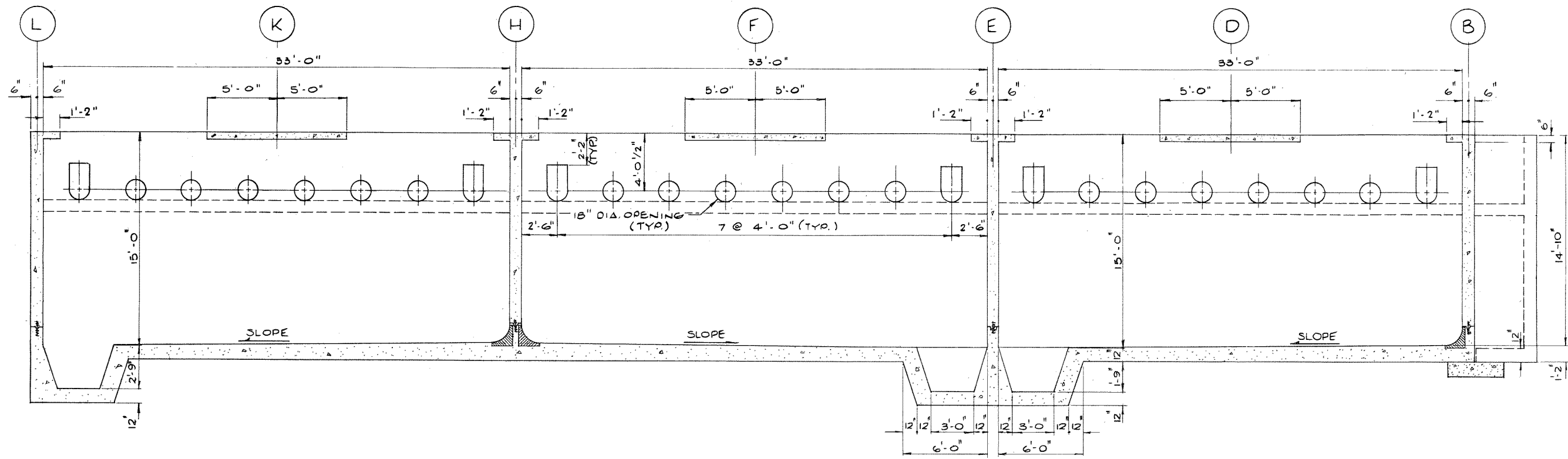


SECTION 4/517

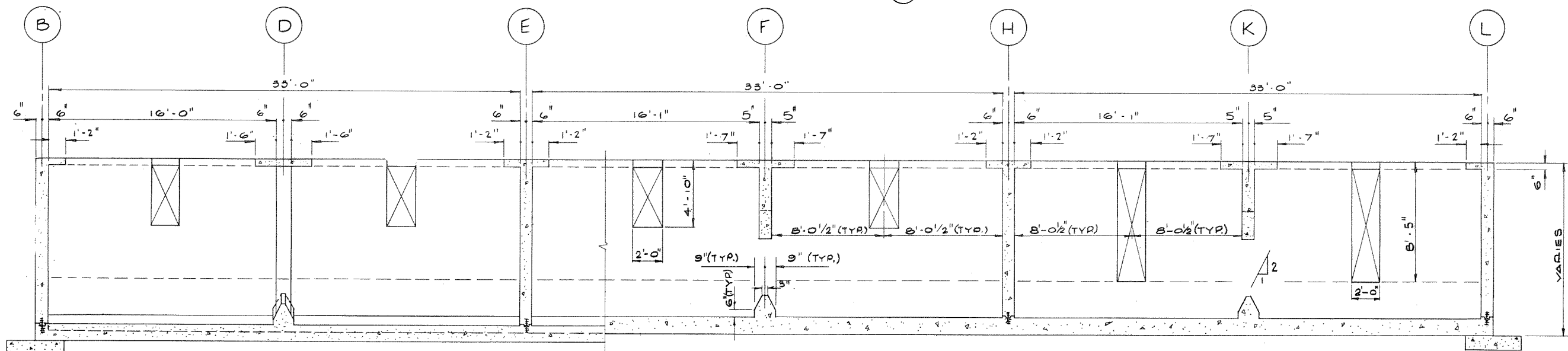
*VERIFY DIMENSIONS WITH CORPORATION PRIOR TO POURING CONCRETE



REVISIONS	ISSUE	DATE	DRN	CHD	APP'D	DESCRIPTION	ISSUE	DATE	DRN	CHD	APP'D	DESCRIPTION	DESIGNED	DRAWN	CHECKED	DATE	COMPANY	CLIENT	SCALE	DRAWING No.	SHEET	OF	ISSUE	THIS DRAWING REDUCED TO HALF SCALE
													J.S.	D.B.C. & A.S.	N.B.	Sept 1 1973	DAYTON & KNIGHT LTD. CONSULTING ENGINEERS	NANAIMO REGIONAL SEWER AUTHORITY GREATER NANAIMO WATER POLLUTION CONTROL CENTRE GRIT AND SEDIMENTATION TANKS - CONCRETE OUTLINE	1/4" = 1'-0"	69-7.2	520	68	A	



SECTION 2
517



SECTION 3
519



REV/ISS	DATE	DRN	CHD	APP'D	DESCRIPTION	ISSUE	DATE	DRN	CHD	APP'D	DESCRIPTION

DESIGNED: J.S.

DRAWN: OCUQTISS & AS

CHECKED: *MRS*

DAYTON & KNIGHT LTD.

CONSULTING ENGINEERS

M. Dayton Sept 1 1973

NANAIMO REGIONAL SEWER AUTHORITY

GREATER NANAIMO WATER POLLUTION CONTROL CENTRE

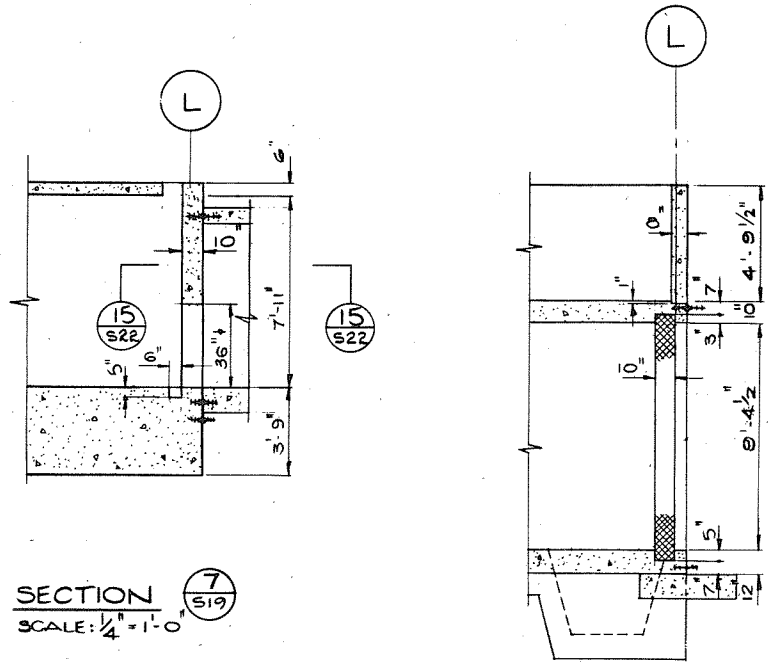
GRIT AND SEDIMENTATION TANKS - CONCRETE OUTLINE

SCALE: 1/4" = 1'-0"

DRAWING No. _____

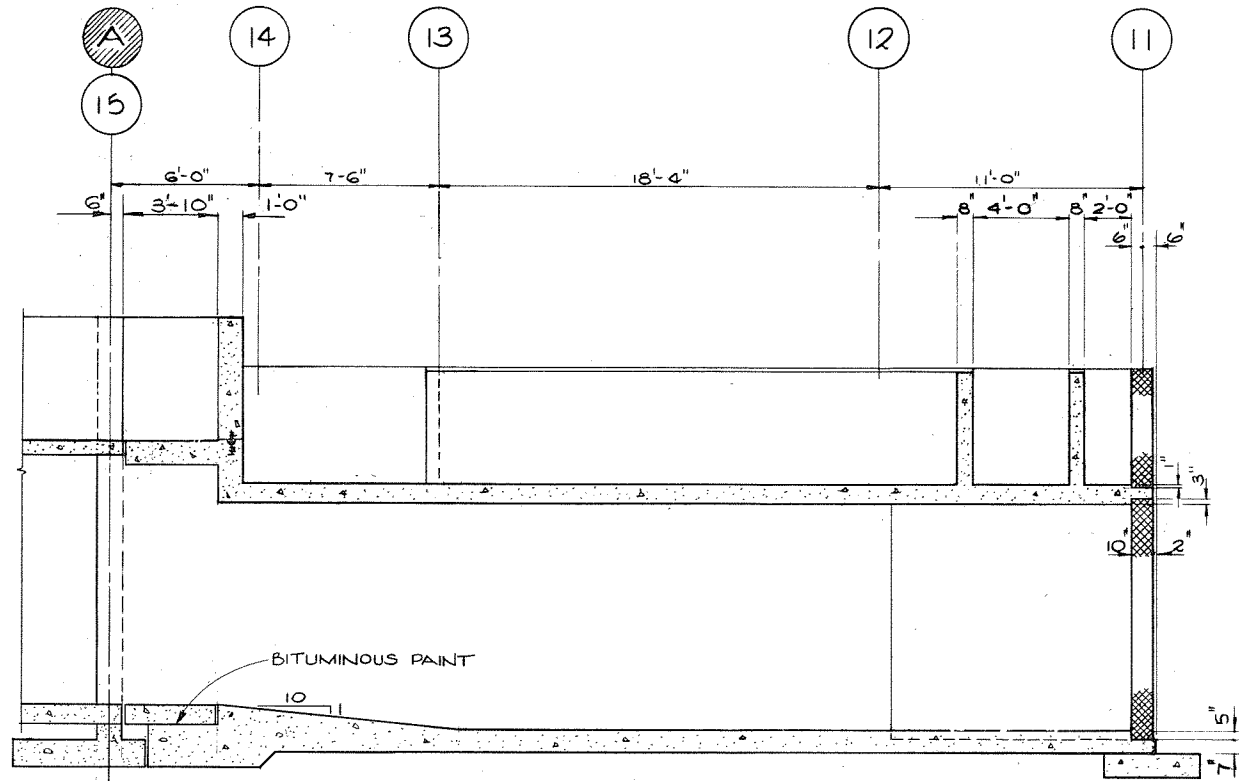
SHEET **S21** OF **68** ISSUE **A**

THIS DRAWING REDUCED TO HALF SCALE

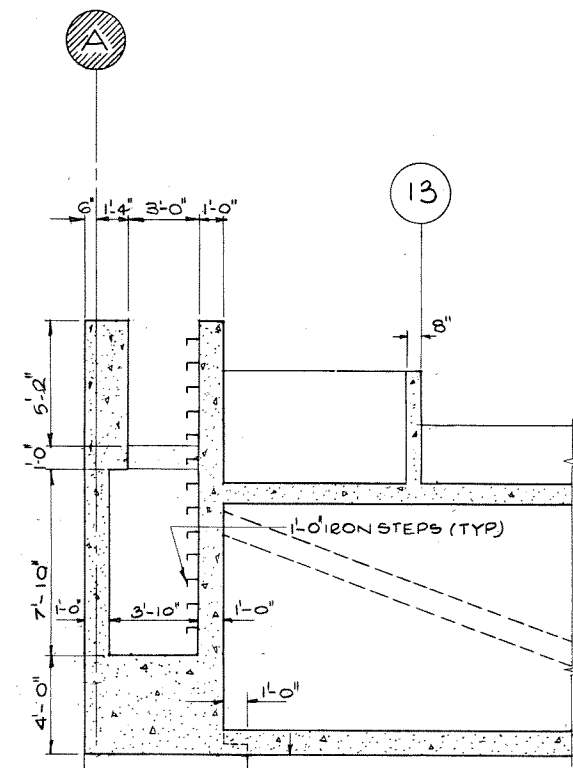


SECTION 7 (S19)
SCALE: 1/4" = 1'-0"

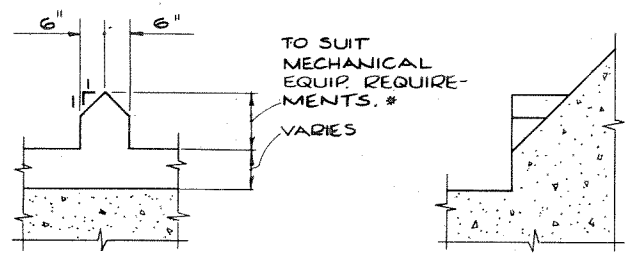
SECTION 9 (S17)
SCALE: 1/4" = 1'-0"



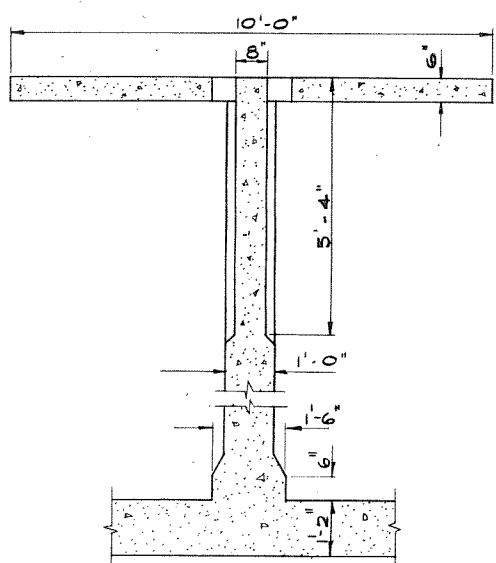
SECTION 6 (S17)
SCALE: 1/4" = 1'-0"



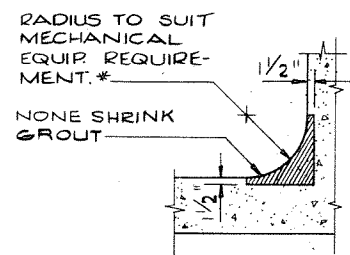
SECTION 8 (S17)
SCALE: 1/4" = 1'-0"



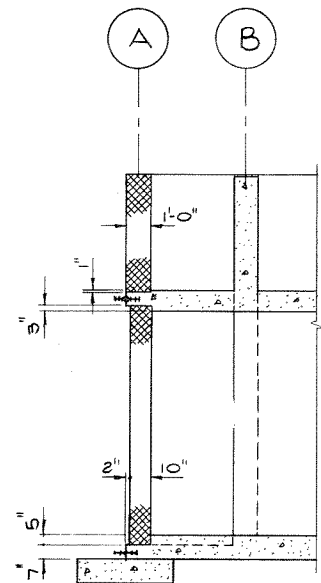
DETAIL 10 (S17)
SCALE: 1/2" = 1'-0"



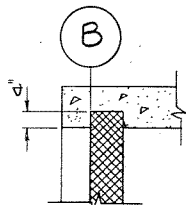
SECTION 12 (S17)
SCALE: 1/2" = 1'-0"



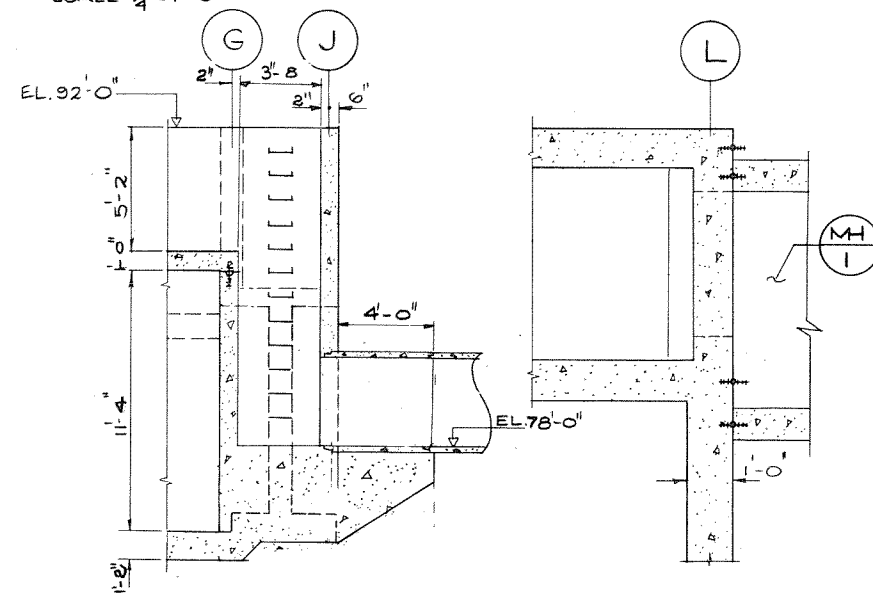
DETAIL 11 (S20)
SCALE: 1/2" = 1'-0"



SECTION 13 (S17)
SCALE: 1/4" = 1'-0"

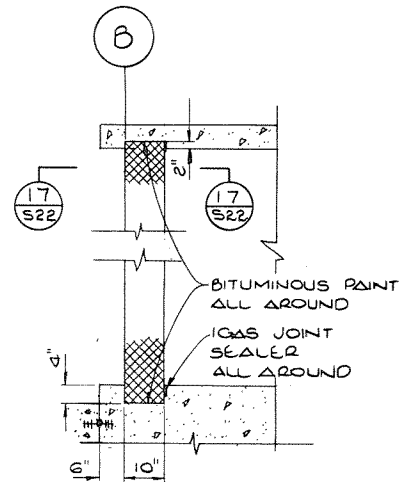


SECTION 17 (S22)
SCALE: 1/2" = 1'-0"



SECTION 14 (S17)
SCALE: 1/4" = 1'-0"

SECTION 15 (S22)
SCALE: 1/2" = 1'-0"

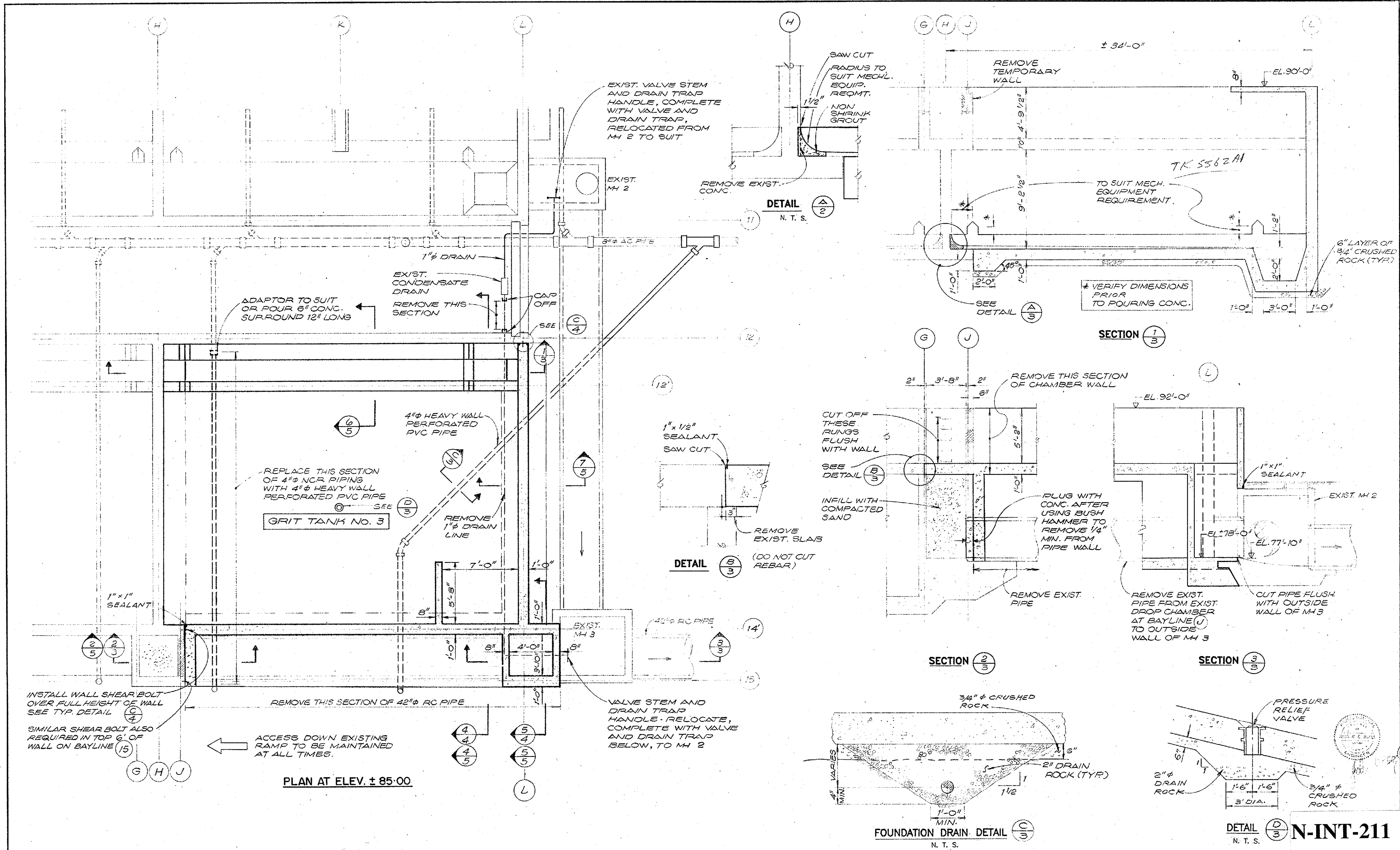


SECTION 18 (S19)
SCALE: 1/2" = 1'-0"



* VERIFY DIMENSIONS WITH CORPORATION PRIOR TO POURING CONCRETE.

ISSUE	DATE	DRN	CHD	APPD	DESCRIPTION	ISSUE	DATE	DRN	CHD	APPD	DESCRIPTION	DESIGNED	DRAWN	CHECKED	DATE	COMPANY	CLIENT	PROJECT	SCALE	DRAWING No.	SHEET	OF	ISSUE	THIS DRAWING REDUCED TO HALF SCALE
												J.S.	O. CURTISS	M.B.	Sept 1973	DAYTON & KNIGHT LTD. CONSULTING ENGINEERS	NANAIMO REGIONAL SEWER AUTHORITY GREATER NANAIMO WATER POLLUTION CONTROL CENTRE GRIT AND SEDIMENTATION TANKS - CONCRETE OUTLINE		AS SHOWN	69.7	S22	OF 68	ISSUE A	THIS DRAWING REDUCED TO HALF SCALE



PLAN AT ELEV. ± 85.00

FOUNDATION DRAIN DETAIL (C/B)
N. T. S.

DETAIL (D/B) N-INT-211
N. T. S.

ISSUE	DATE	DRN	CHD	APPD	DESCRIPTION

DESIGNED: J.W.C.B.
DRAWN: V.B.
CHECKED: P.P.B. B.W. B.W. 4 July 88

DAYTON & KNIGHT LTD.
CONSULTING ENGINEERS

REGIONAL DISTRICT OF NANAIMO
GREATER NANAIMO W.P.C.C.
CONSTRUCTION OF STAGE II EXPANSION - PHASE II
GRIT TANK No. 3 DETAILS

SCALE: 1/4" = 1'-0" OR AS SHOWN
DRAWING No. 22-78-4
SHEET 5 OF 21 ISSUE A

GENERAL STRUCTURAL NOTES
CONCRETE

1. APPLICABLE SPECIFICATIONS AND CODES: CONCRETE CONSTRUCTION SHALL CONFORM TO CSA, CAN.3-A23.1-M77 AND CAN.3-A23.2-M77.
2. REINFORCING STEEL DETAILS: ALL DETAILING, FABRICATING AND ERECTION OF STEEL REINFORCING BARS, UNLESS OTHERWISE NOTED, SHALL BE IN ACCORDANCE WITH THE "METRIC SUPPLEMENT" IN CONJUNCTION WITH THE "REINFORCING STEEL MANUAL OF STANDARD PRACTICE" AS AVAILABLE FROM THE WESTERN REINFORCING CONTRACTORS ASSOCIATION.
3. MINIMUM REINFORCEMENT: CONCRETE CONSTRUCTION SHALL BE REINFORCED CONCRETE EXCEPT WHERE PLAIN CONCRETE (P/C) IS SPECIFIED ON THE DRAWINGS, IN WHICH CASE NO REINFORCEMENT SHALL BE USED. CONCRETE THAT IS NOT DESIGNATED P/C AND HAS NO REINFORCEMENT INDICATED SHALL BE REINFORCED ACCORDING TO THE FOLLOWING SCHEDULES:

A) STEEL FOR WALLS AND SLABS

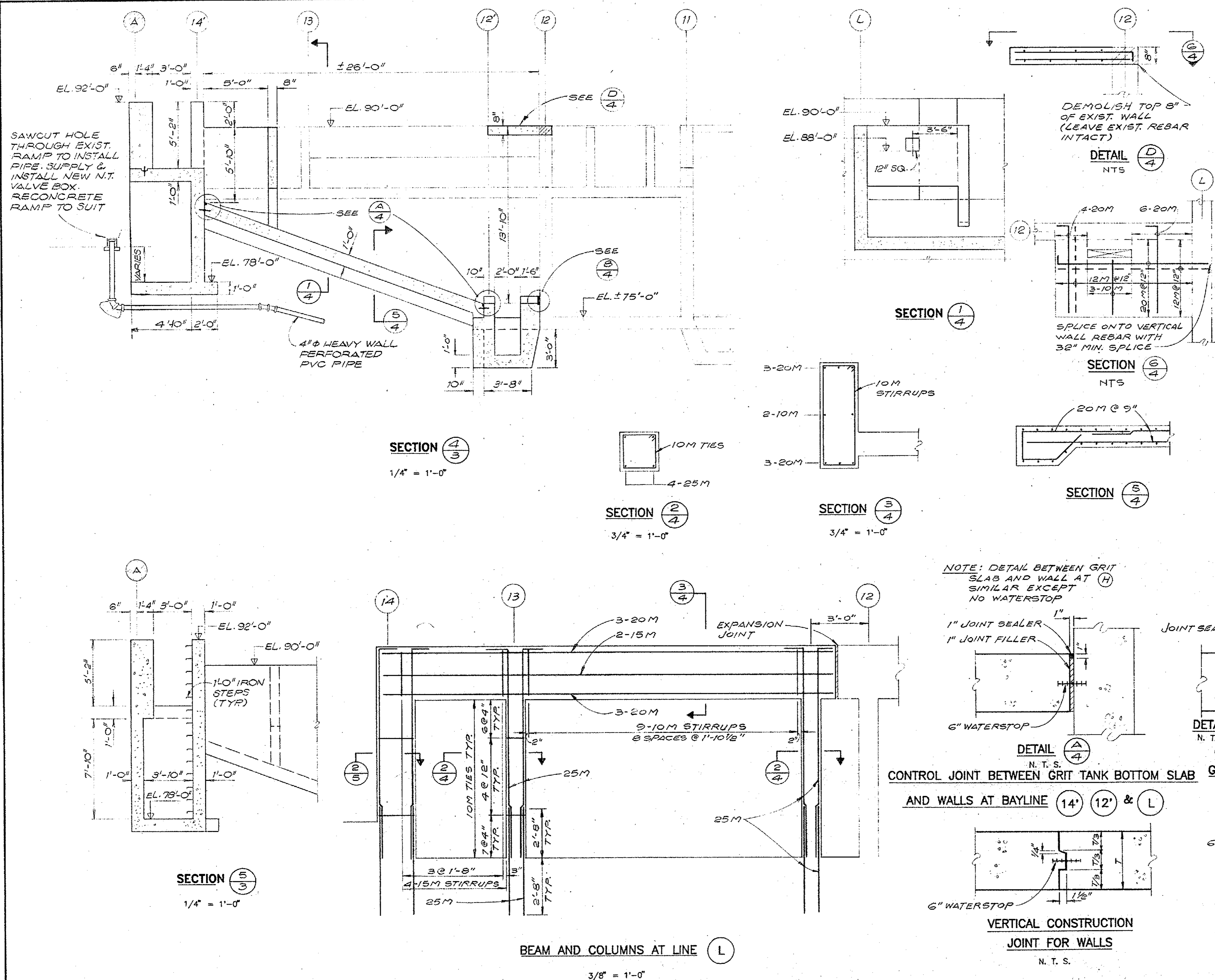
REINFORCEMENT EACH WAY			
THICKNESS	SIZE	SPACING	POSITION
6	10M	12 C/C	ON \pm
8	15M	12 C/C	ON \pm
10	15M	12 C/C	EF
12	15M	12 C/C	EF
14	15M	12 C/C	EF
16	20M	12 C/C	EF
18	20M	12 C/C	EF
20	20M	12 C/C	EF

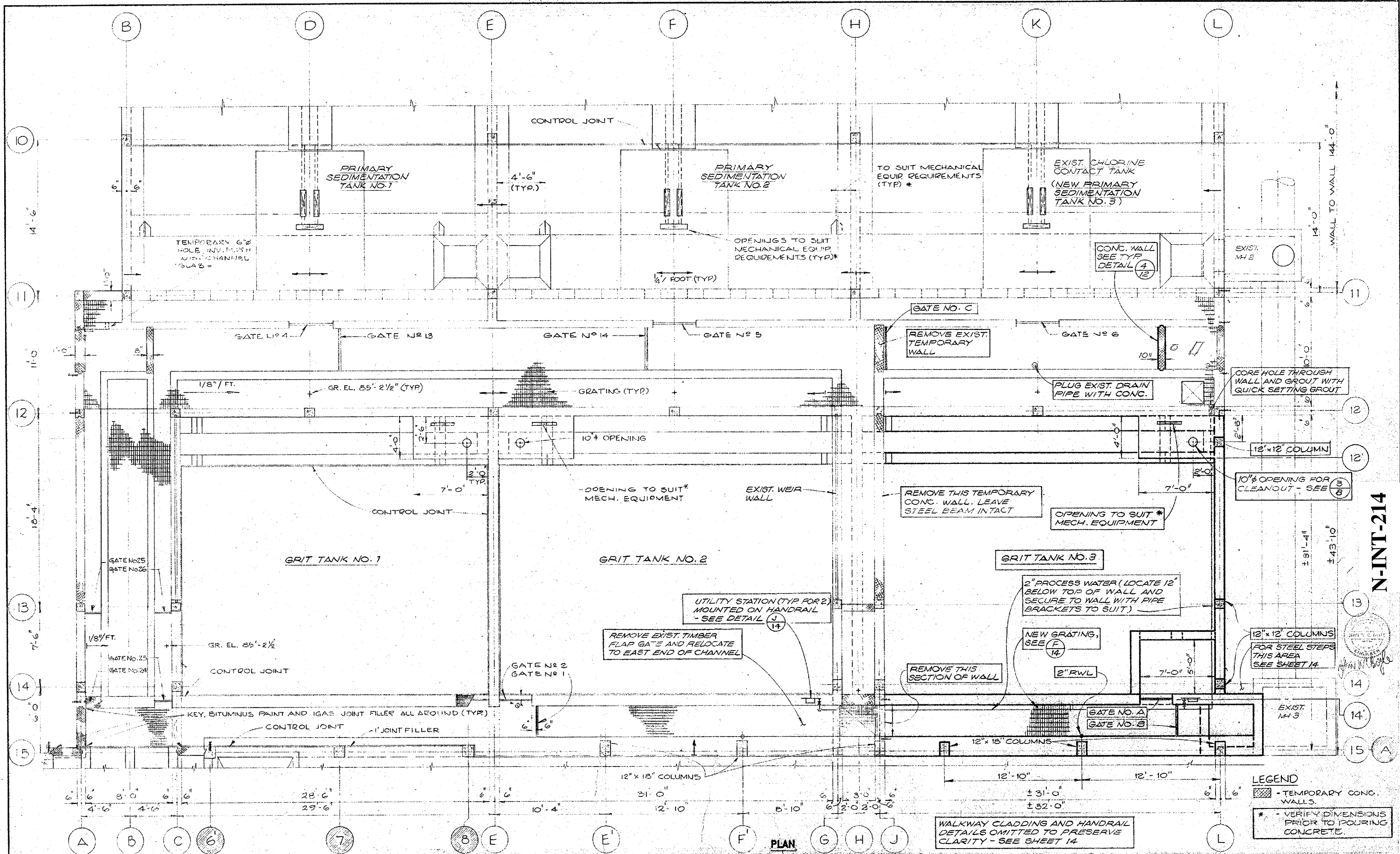
MASS CONCRETE SHALL BE REINFORCED WITH 15M BARS AT 12" MINIMUM IN ALL FACES.

B) 10M ϕ 18" SHALL BE USED AS TRANSVERSE TIES IF NO OTHER REINFORCING IS NOTED.

4. CONCRETE COVER: CONCRETE COVER OF REINFORCING BARS, IF NOT SPECIFIED ON THE DRAWINGS, SHALL BE AS FOLLOWS OR SHALL BE EQUAL TO THE DIAMETER OF THE MAIN REINFORCING BAR IT COVERS, WHICHEVER IS LARGER:

CONDITION	SPECIFIED COVER (inches)
A) CONCRETE CAST AGAINST GROUND	3
B) CONCRETE EXPOSED TO EARTH, LIQUIDS OR WEATHER	
i) 20M BARS OR LARGER	2
ii) 10M AND 15M BARS	1 1/2
C) CONCRETE SLABS OR WALLS NOT EXPOSED TO EARTH, LIQUIDS OR WEATHER	3/4
D) CONCRETE BEAMS OR COLUMNS	2





LEGEND

TEMPORARY CONC. WALLS.

* - VERIFY DIMENSIONS PRIOR TO POURING CONCRETE.

WALKWAY CLADDING AND HANDRAIL DETAILS OMITTED TO PRESERVE CLARITY - SEE SHEET 14

ISSUE	DATE	DRN	CH'D	APP'D	DESCRIPTION	ISSUE	DATE	DRN	CH'D	APP'D	DESCRIPTION	DESIGNED	DRAWN	CHECKED	DAYTON & KNIGHT LTD.	REGIONAL DISTRICT OF NANAIMO	SCALE	SHEET	OF	ISSUE	
												JWCB	VB	JWB	DAYTON & KNIGHT LTD.	GREATER NANAIMO W.P.C.C.	1/4" = 1'-0"	6	21	A	
												CONSULTING ENGINEERS		CONSTRUCTION OF STAGE II EXPANSION - PHASE II		DRAWING No. 122-72-4					
												GRIT TANK No. 3 DETAILS									